

Embedded box computer, PADR series

PADR-M101

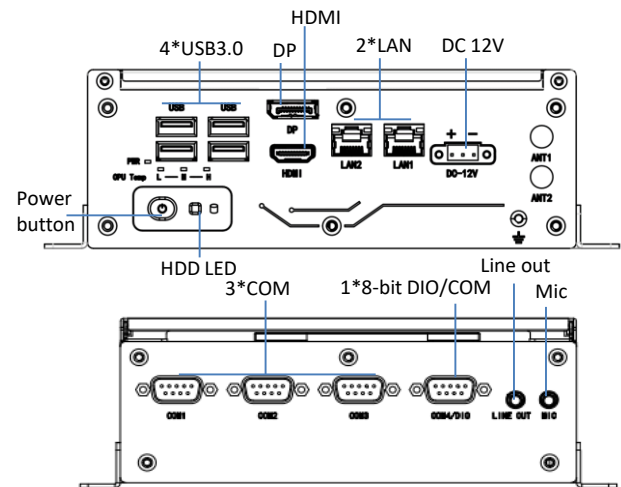
Intel® Whiskey lake U CPU, 2-CH DDR4, 1*HDMI, 1*DP, 2*LAN, 4*USB3.0, 3/4*COM, 1*M.2 E-key, 1*F-Mini PCIe, DC 12V



Key Features

- SGCC box design, 4 - line temperature - controlled fan silent heat dissipation
- Intel® Core™ i3/i5/i7/Celeron U CPU
- 2*DDR4 2400MHz SODIMM, Up to 32GB
- 1*HDMI, 1*DP, Support dual 4K display
- 1*Line out&Mic, 4*USB3.0
- 2* GbE LAN, 3/4*COM , 8-bit DIO
- 1*2.5" SATA tray for storage
- 1*M.2, 2230 E-Key, 1*Mini-PCIe with SIM Slot
- DC 12V Wide Power Input,Optional 9~36V

PADR-M101 is a new type of embedded box computer launched by JHCTECH. It's equipped with the Intel® Whiskey lake U architecture. It powered by the 8th generation Intel® core™ i3/i5/i7/Celeron U series processors, 2-Ch DDR4, 2* SO-DIMM up to 32GB. 1*HDMI, 1*DP, dual 4K display interface, 1*Line out&Mic high fidelity audio interface. It not only has rich IO interface, but also has multiple extension interface, 1*M.2 support NGFF-2230, 1*Mini PCIe with 1*SIM card slot, support 3G/4G/Wifi/ BT/ GPRS wireless functions, can be selected in BIOS for mSATA, 1*SATA3.0 for storage. DC 12V power supply, optional DC 9~36V wide voltage. Small size, exquisite appearance, easy to manufacture, mobile portable terminal, advertising machine, AGV, medical analysis equipment and other small size, low cost industries.

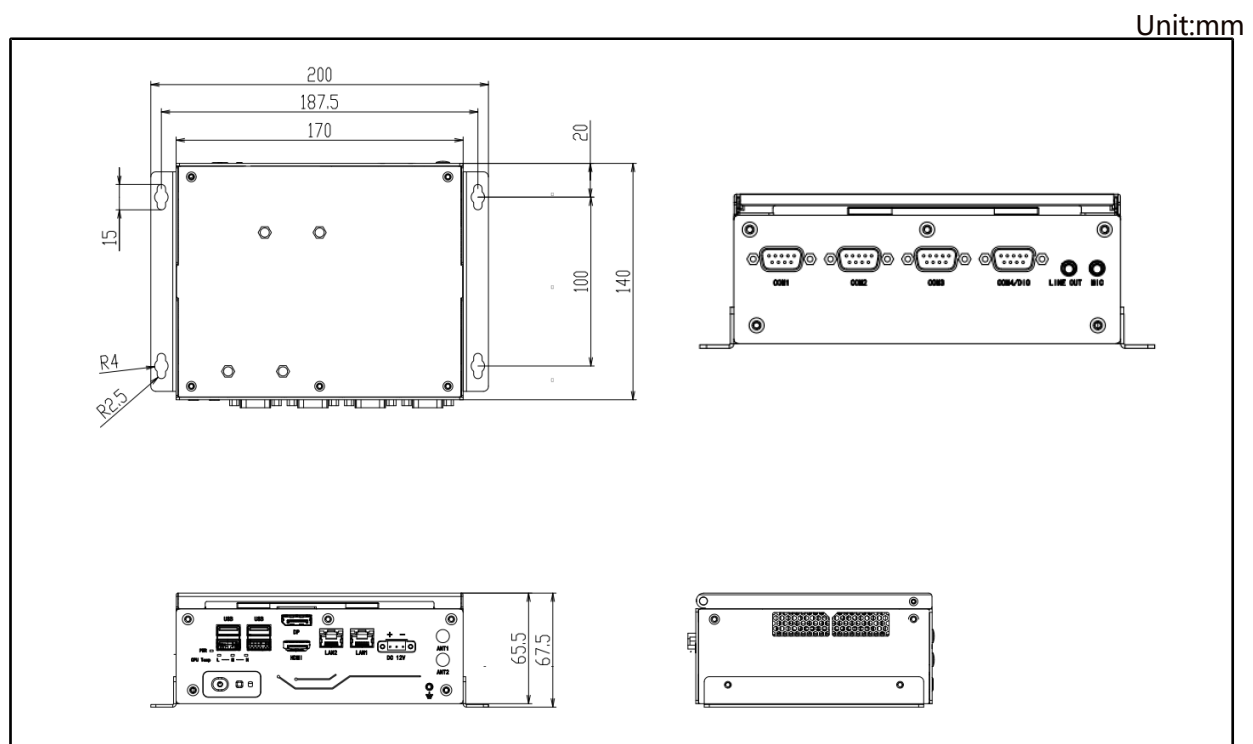


SPEC.

System	CPU	Celeron 4305U	Core I3-8145U	Core I5-8265U	Core I7-8565U
		Cores	2	2	4
	Threads	2	4	8	8
	Frequency(GHz)	2.2	2.1-3.9	1.6-3.9	1.8-4.6
	System Memory	Dual channel DDR4 2400MHz SO-DIMM , up to 32GB			
	Expansion	1* M.2 E-key 2230, with PCIe X1+ USB2.0 signal, expansion of Wifi/BT module 1* Full Mini PCIe with 1*SIM card slot, support 3G/4G/Wifi/ BT/ GPRS wireless functions, can be selected in BIOS for mSATA			
	Display	Intel® gen.9 UHD Graphics, supports dual independent display 1*HDMI max. res. 4096* 2304@24hz 1*DP max. res. 4096* 2304@60hz			
	Aduio	Realtek ALC662VD controller, 1*Line out&Mic high fidelity audio interface, support 5.1 channel			
	LAN	2*Intel® I210AT PCIe Gig. Ethernet, 10/100/1000Mbps adaptive			
	Storage	1*2.5" SATA port, can support 15mm SSD/HDD			
	I/O ports	2* RS232/422/485 (DB9), 1*RS232(DB9), 1*8-bit DIO (DB9) optional RS232 4*USB3.0, 2*G-LAN (RJ45), 1*HDMI, 1*DP, 1*Line out & Mic(Phone jack) optional			
	LED	1*Power LED, 1*HDD LED, 3*CPU temp. LED (Red is warning , Yellow is high, Green is normal)			
	Control SW	1*Power button			
	Power Supply	3-pin ter. connector, DC 12V , 9~36V wide voltage power supply is optional (2.5 "SSD/HDD is not supported if wide voltage power supply is selected)			
	Watchdog Timer	Consumption:TDP 27.83W (I7-8565U, 16GB DDR , 1*4T SSD) Watchdog timeout programmable via software 1 to 255 second			
	OS Support	Windows 10, SUSE, Ubuntu, Wind River, Red Hat Enterprise			

Mechanical	Structure	SGCC
	Color	Silk grey+ Pastel Blue
	Mounting	Desktop Mounting
	Dimension	(W*D*H) : 200*140*65.5mm
	Net weight	1.51KG
Environmental	Operating temperature	-0℃~50℃, with wide operating temp. SSD, airflow
	Storage Temperature	-40℃~+ 85℃
	Storage Humidity	10~90%@40℃, Non-condensing
	Vibration	5grms/5~500Hz/random/in working(SSD) 1grms/5~500Hz/random/in working(HDD)
	Shock	50g peak acceleration(11ms duration)(SSD); 20g peak acceleration(11ms duration)(HDD)
	Certification/EMC	CE/FCC ClassB

Dimension



Ordering Info.

ModolNo.	CPU	Introduction
PADR-M101/S001	Intel® Core I3-8145U	Embedded box computer, Dual channel DDR4 2*SO-DIMM, 1*HDMI, 1*DP, 1*Line out&Mic(Optional), 2*LAN, 4*USB3.0, 3/4*COM, 8-bit DIO, 1*M.2, 1*Mini PCIe, 1*2.5" SATA, DC 12V
PADR-M101/S002	Intel® Core I5-8265U	Embedded box computer, Dual channel DDR4 2*SO-DIMM, 1*HDMI, 1*DP, 1*Line out&Mic(Optional), 2*LAN, 4*USB3.0, 3/4*COM, 8-bit DIO, 1*M.2, 1*Mini PCIe, 1*2.5" SATA, DC 12V
PADR-M101/S003	Intel® Core I7-8565U	Embedded box computer, Dual channel DDR4 2*SO-DIMM, 1*HDMI, 1*DP, 1*Line out&Mic(Optional), 2*LAN, 4*USB3.0, 3/4*COM, 8-bit DIO, 1*M.2, 1*Mini PCIe, 1*2.5" SATA, DC 12V
PADR-M101/S004	Intel® Celeron 4305U	Embedded box computer, Dual channel DDR4 2*SO-DIMM, 1*HDMI, 1*DP, 1*Line out&Mic(Optional), 2*LAN, 4*USB3.0, 3/4*COM, 8-bit DIO, 1*M.2, 1*Mini PCIe, 1*2.5" SATA, DC 12V
OFX-075	75W power board, DC IN 9-36V, DC OUT 12V, 38*53mm. Consumption : Min. 60W,Max. 84W	

*All specifications and photos are subject to change without notice.
www.jhctech.com.cn © 2021 Jhctech.Co., Ltd.All rights reserved.

Updated Mar. 30th,2021