

Fanless In-Vehicle Computer, SIGMA Series

SIGM-3250

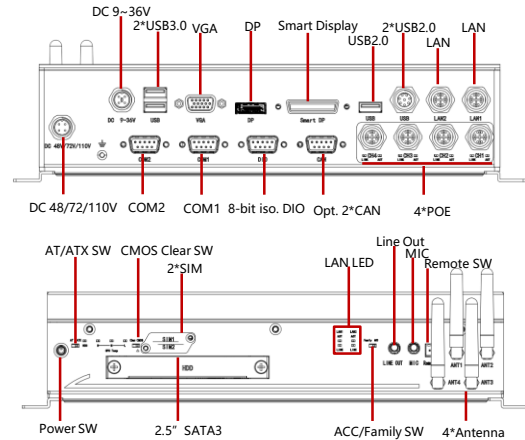
Intel® Skylake/Kabylake-U CPU, 2*LAN, 4*POE, 2*USB3.0, DP, VGA, Smart Display, 2*Iso. COM, 8-bit Iso.DIO, EN50155 Certification.



The SIGM-3250 is a fanless In-Vehicle & rugged computer, Powered by Intel® Skylake/Kabylake-U processor and dual-channel (On-board+ SODIMM) DDR4, supporting 2133MHz, up to 16GB. DP+ VGA+ Smart Display, three display interfaces, 2*LAN, 4*POE, 5*USB, 4*Mini PCIe, support dual 4G LTE/Wifi/BT/GPS and other wireless functions, 2*COM with isolation function, 8-bit isolated DIO, Optional 2*CAN. 1*mSATA, 1* easy-swap 2.5-inch SATA3.0 for storage. E-mark vehicle certification, EN50155 certification, suitable for ITS, road vehicle, Railway vehicle applications.

Key Features

- Aluminum chassis, Fanless & Rugged design
- Intel® Skylake/Kabylake-U CPU
- 2-Ch DDR4, On-board 4/8GB+ SODIMM, up to 16GB
- 1*DP, 1*VGA, 1*Smart Display, three displays
- 2*LAN, 4*POE(802.3af), 5*USB
- 2*Iso.COM, 8-bit Iso. DIO, optional 2*CAN
- 4*Mini PCIe(opt. 1*mSATA), support GPS/WiFi/4G
- EN50155, E-Mark certification, support TPM2.0
- Railway power DC 48/72/110V
- Optional DC 9~36V, ITPS power management



SPEC.

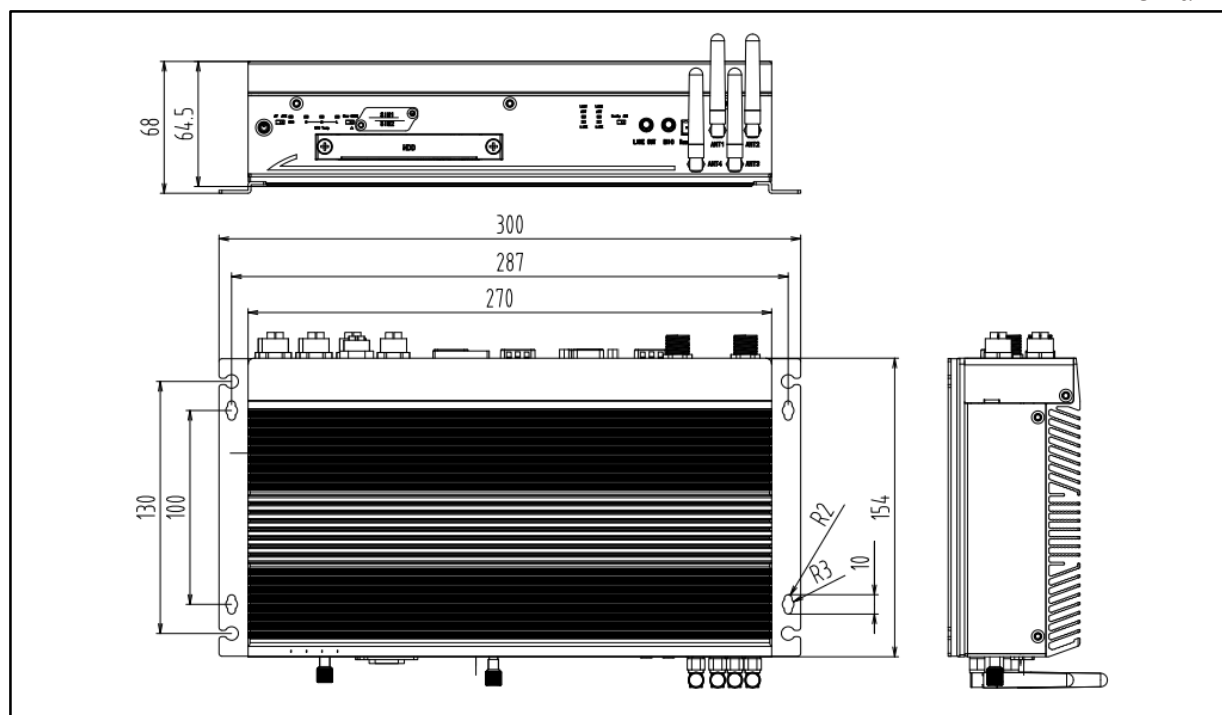
System	CPU	I3-6100U	I3-7100U	I7-6500U	I7-7500U
		Cores	2	2	2
	Threads	4	4	4	4
	Frequency(GHz)	2.3	2.4	2.5	2.7
	System Memory	2-ch DDR4, support 2133MHz, on board 4/8GB+ 1*SODIMM, up to 16GB			
	Expansion	2*Mini PCIe with PCIe X1+ USB signal, 2*SIM slot, support 2*4G/LTE/Wifi/BT/GPS 1*Mini PCIe with SATA+ USB signal, support mSATA 1*Mini PCIe with PCIe+ USB signal, when using 2*CAN, This slot is occupied			
	Intel Graphics	Intel Gen.9 HD Graphics, DP max. res. 4096*2304@60Hz, Smart Display max. res. 1920*1200@60Hz, VGA max. res. 1920*1200@60Hz, support 3 displays			
	Audio	Realtek ALC662VD controller, Audio out and MIC, support 5.1 channel			
	LAN	6*Intel I210AT PCIe Gig. Ethernet, M12 connector, four of them with POE function, 802.3af (15.4W)			
	Storage	1*2.5" HDD/SSD bay, 1*mSATA(SATA+ USB)			
	DIO	4-ch input/4-ch output, isolated (DB9), 2.5KV opto-isolated input(H: 5-24V, L: 0-1.5V), opto-isolated output(200mA)			
	I/O ports	2*Gig-LAN (M12 X-coded), 4*Gig-LAN, with POE 802.3af (M12 X-coded) 2*USB3.0 (Type A); 1*USB2.0 (Type A); 2*USB2.0 (M12) 4-ch input/4-ch output, isolated (DB9 male), 2*SIM slot 1*RS232 isolated (DB9 male), 1*RS485 isolated (DB9 male), Optional 2*CAN 2.0(DB9 male) 1*Audio-out & 1*MIC (3.5mm phone jack)			
	LED	1*Power LED, 1*HDD LED, 3*CPU Temp. LED (Red is warning, yellow is High, Green is normal) 3*LAN LED (ACT/LINK)			
	Control SW	1*Power button, 1*Remote SW signal, 1*AT/ATX SW, 1*Clear CMOS SW, 1*ACC/Family select SW			
	Power Supply	DC 48/72/110V input, 4-pin connector(M12), TDP: 12V/2.33A(I5-6200U, 8GB) Optional DC 9~36V input, 5-pin connector (M12)			
	Watchdog Timer	Watchdog timeout programmable via software 1 to 255 second			
	OS Support	Windows7, Windows 10, Linux Fedora, Ubuntu (Note: Kabylake-U don't support Windows 7 OS)			

*All specifications and photos are subject to change without notice.

Mechanical	Structure	Aluminum chassis, Stainless steel frame
	Color	Silver & Grey
	Mounting	Desktop Mounting
	Dimension	(W*H*D) : 270*154*64.5mm
	Net weight	3.2Kg
Environmental	Operating temperature	EN50155 TX: -40~70℃
	Storage Temperature	-40℃~85℃
	Storage Humidity	10~90%@40℃, Non-condensing
	Vibration	MIL-STD-801G, EN50155
	Shock	MIL-STD-801G, EN50155
Certification/EMC	EN50155, E-Mark, CE/FCC Class B	

Dimension

Unit:mm



Ordering Info.

Model No.	CPU	Introduction
SIGM-3250/S001	Core i3-6100U/i3-7100U	Fanless In-Vehicle Computer, 4GB+1*SODIMM DDR4, 2*LAN, 4*POE, 2*USB3.0, 3*USB2.0, 2*COM, 3*Mini PCIe, 1*Smart Display, 1*DP, 1*VGA, Audio out, Mic, 8-bit Iso. DIO, 1*2.5 " SATA bay, 1*mSATA, DC 48/72/110V
SIGM-3250/S003	Core i7-6500U/i7-7500U	
SIGM-3250/T001	Core i3-6100U/i3-7100U	Fanless In-Vehicle Computer, 4GB+1*SODIMM DDR4, 2*LAN, 4*POE, 2*USB3.0, 3*USB2.0, 2*COM, 3*Mini PCIe, 1*Smart Display, 1*DP, 1*VGA, Audio out, Mic, 8-bit Iso. DIO, 1*2.5 " SATA bay, 1*mSATA, ITPS, DC 9~36V
SIGM-3250/T003	Core i7-6500U/i7-7500U	

*All specifications and photos are subject to change without notice.

www.jhctech.com.cn © 2019 Jhctech.Co., Ltd.All rights reserved.

Updated Nov, 18th, 2019