

Embedded Box Computer, KMDA Series

KMDA-3921

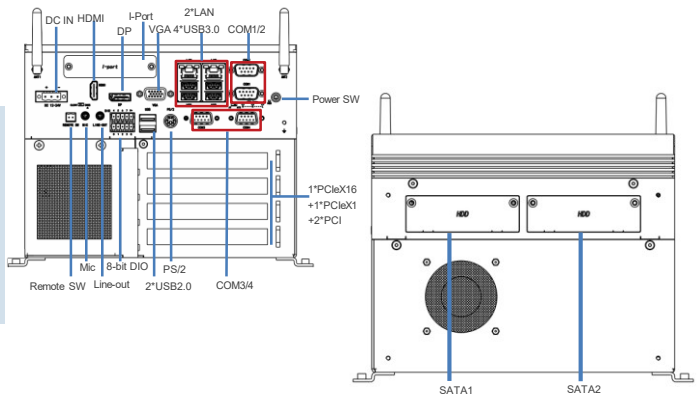
Intel® Skylake-S/Kabylake-S CPU, 2*LAN, 4*USB3.0, HDMI, DP, VGA, 3 displays, PCIe X16+PCIe X1+2*PCI expansion, DC-IN 12~24V.



KMDA-3921 is a high-performance Box Computer. It powered by Intel® Skylake-S/Kabylake-S T(TE) CPU, 2*DDR4 2133/2400MHz dual channel memory, up to 32GB. DP1.2+ HDMI1.4b + VGA. 2*GbE LAN, 4*USB3.0, 1*Mini PCIe supports 4G and Wifi/BT. 2*2.5" SATA HDD/SSD, 1*mSATA, 1*M.2, used for storage. With DC 12~24V wide power input, high performance, multi IO, multi expansion, easy to disassemble and install function card or HDD/SSD, widely used for Intelligent AI, Video Security and Machine Vision.

Key Features

- Aluminum chassis, SGCC frame
- Intel® Kabylake-S/Skylake-S CPU
- 2*DDR4 2400/2133MHz SODIMM, Up to 32GB
- DP+ HDMI+ VGA, Optional 3 independent displays
- 2*LAN, 4*USB3.0, 3*USB2.0, 4*COM, 8-bit DIO
- 1*PCIe X16+ 1*PCIeX1+ 2*PCI expansion
- 1*Mini PCIe(PCIe+ USB), 1*M.2 2242B-Key
- 1*mSATA, 2*2.5" SATA, support Raid0,1(Q170)
- Support Intel® iVpro and TPM2.0
- DC 12~24V Wide Power Input



SPEC.

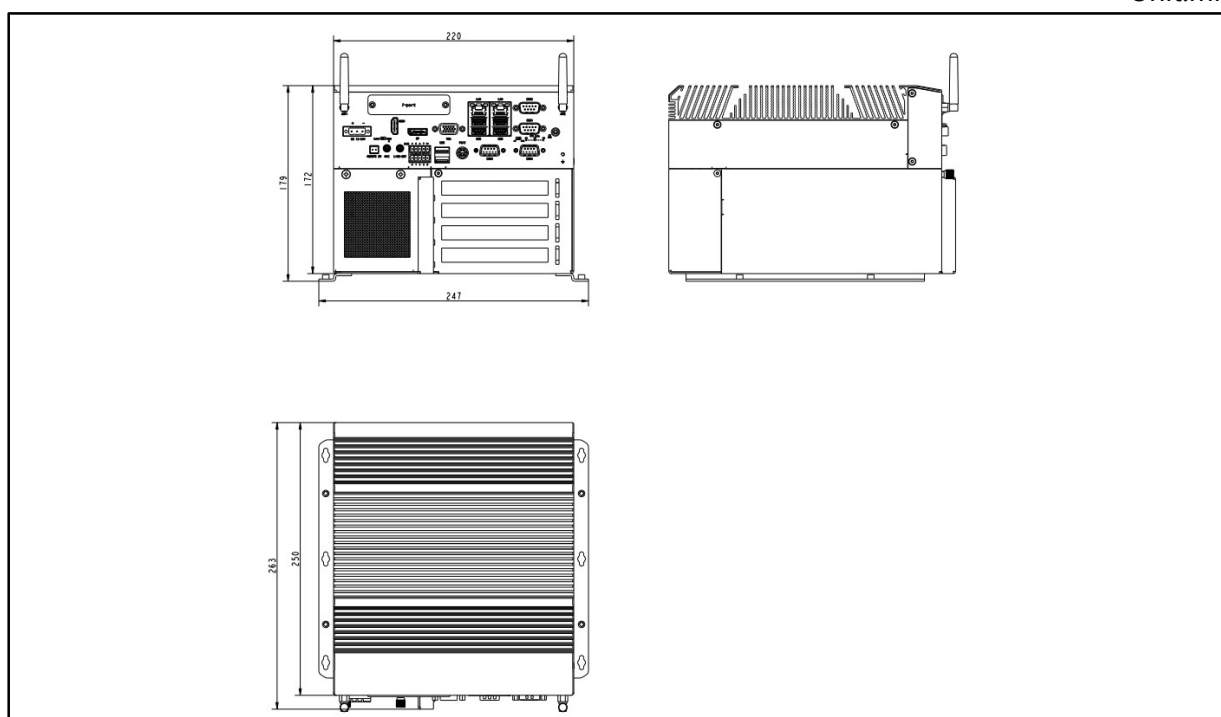
System	CPU	Gen.6th Intel® Skylake-S/gen.7th Intel® Kabylake-S Celeron/Pentium/Core I3/I5/I7 CPU, LGA 1151 socket
	Chipset	Intel® H110, Optional Intel® Q170
	System Memory	2*260-Pin SODIMM, dual channel DDR4 2133/2400MHz, up to 32GB
	Expansion	1*Full size Mini PCIe with PCIe + USB signal and SIM slot, support 4G LTE/Wifi/BT wireless module 1*PCIe X16, support GTX 1660 Mini Graphics card, Graphics length is less than 225mm 1*PCIe X1+ 2*PCIExpansion
	Intel Graphics	Gen. 9th Intel® HD Graphics, HEVC/H265 HW HD en/decoder, DP1.2 max. res. 4096*2304@60Hz, HDMI1.4b max. res. 3840*2160@30Hz, VGA max. res. 1920*1200@60Hz, Optional 3 independent displays(In Intel® Q170 Chipset)
	Audio	Realtek ALC662VD controller, Audio out and MIC
	LAN	1*Intel I210AT+ 1*Intel I219LM PCIe Gig. Ethernet, 10/100/1000Mbps, support iVpro(Intel® Q170)
	Storage	2*2.5" HDD/SSD bay, support RAID0/1(In Intel® Q170 Chipset); 1*mSATA(SATA); 1*M.2 2242 B-key(SATA&USB)
	DIO	8-bit DIO(Front), TTL signal, programmable input and output
	I-port	Optional 1*LPT, USB2.0, 16-bit DIO or Mini PCIe and M.2 I/O ports(such as serial ports)
	I/O ports	2*RJ45 Gig-LAN(Front) 4*USB3.0 Type A (Front); 2*USB2.0 Type A(Front); 1*USB2.0 Type A(inside) 8-bit DIO, 2*10-pin terminal, 1*PS/2(Front) 2*RS232/422/485 DB9(Front), 2*RS232 DB9 (Front), Audio-out and 1*MIC (Front) 1*HDMI + 1*DP+ 1*VGA(Front)
	LED	1*Power LED, 1*HDD LED, 3*CPU term. LED (Red is warning, Yellow is high, Green is normal)
	Control SW	1*Power button, 1*2pin ter. power-on signal, 1*AT/ATX Select SW, 1*Clear CMOS Select SW
	Power Supply	DC 12~24V Input, 3-pin ter. (Front), Consumption: 19W/3.62A(I7-6700T CPU, 4GB DDR4, 1TB HDD)
Watchdog Timer	Watchdog timeout programmable via software 1 to 255 second	
OS Support	Windows 7, Windows 10, Linux Fedora Ubuntu	

*All specifications and photos are subject to change without notice.

Mechanical	Structure	Aluminum chassis, SGCC frame
	Color	Silver grey
	Mounting	Desktop Mounting
	Dimension	(W*H*D):220*250*172mm
	Netweight	5.58kg
Environmental	Operating temperature	-20°C~65°C - Fanless, 35W CPU with wide operating temp. SSD, airflow -10°C~55°C - Fanless, 35W CPU with HDD, airflow
	Storage Temperature	-40°C~85°C
	Storage Humidity	10~90%@40°C, Non-condensing
	Vibration	5grms/5~500Hz/ random/in working(SSD); 1grms/5~500Hz/random/in working(HDD)
	Shock	50g peak acceleration(11ms duration)(SSD); 20g peak acceleration(11ms duration)(HDD)
Certification/EMC	CE/FCC ClassB	

Dimension

Unit:mm



Ordering Info.

Model No.	Introduction
KMDA-3921/S001	Embedded Box Computer, Intel® Skylake-S/Kabylake-S LGA1151 CPU, H110 Chipset, 2*DDR4, 2*LAN, 4*USB3.0, 3*USB2.0, 4*COM, 1*Mini PCIe, 1*PCIe X16, 1*PCIe X1, 2*PCI, 1*HDMI, 1*DP, 1*VGA, Audio out, Mic, 8-bit DIO, 1*PS/2, 1*I-port, 2*2.5" SATA bay, 1*M.2, 1*mSATA, DC 12~24V, TPM2.0
KMDA-3921/S002	Embedded Box Computer, Intel® Skylake-S/Kabylake-S LGA1151 CPU, Q170 Chipset, 2*DDR4, 2*LAN, 4*USB3.0, 3*USB2.0, 4*COM, 1*Mini PCIe, 1*PCIe X16, 1*PCIe X1, 2*PCI, 1*HDMI, 1*DP, 1*VGA, Audio out, Mic, 8-bit DIO, 1*PS/2, 1*I-port, 2*2.5" SATA bay, 1*M.2, 1*mSATA, DC 12~24V, TPM2.0
PA-120DC19	AC/DC power adapter, DC 19V/6.32A 120W
PA-220DC24	AC/DC power adapter, DC 24V/9.17A220W
AC-140	8-channel optical isolation input\8-channel high-power relay board

*All specifications and photos are subject to change without notice.

www.jhctech.com © 2020 Jhctech.Co., Ltd.All rights reserved.

Updated Jul, 9th, 2020